

**MONTECITO WATER DISTRICT**

October 22, 2018

**ADDENDUM NO. 2**

TO

REQUEST FOR PROPOSALS

**Water Main Repairs at Romero Canyon Creek**

DATED OCTOBER 2018

Notice is hereby given to bidders that this addendum is issued to make changes to the contract documents, construction drawings, and construction specifications. The following changes shall be made to the contract documents, construction drawings, and construction specifications by the Contractor.

**Make the following change the Project Scope, Item 1: New Construction**

**1. New Construction** – Contractor shall:

- a. Install ~~155~~ **171** feet of 10" ductile iron pipe on either side of the new bridge including:
  - i. 5 x 10" DIP 45 degree bends (MJ x MJ)
  - ii. 1 x 10" DIP 45 degree bends (FL x MJ)
  - iii. 2 x 10" DIP 45 degree bends (FL x FL)
  - iv. 1 x 10" DIP Flange Adapter
- b. Install ~~75~~ **59** feet of 10" steel pipe across the bridge with flanged ends and flanged joints for connecting to flanged DIP 45 degree bends on either end. The 10" steel pipe across the bridge shall be mounted to the south side of the bridge on steel brackets fabricated and installed by others. Contractor shall purchase and install the materials to secure the pipe to the steel brackets including U-bolt, FRP shields, flatties, and worm clamps.

**See addendum 1-2: Romero Creek Bridge Main Replacement, Sheet 3**

APPROVED:

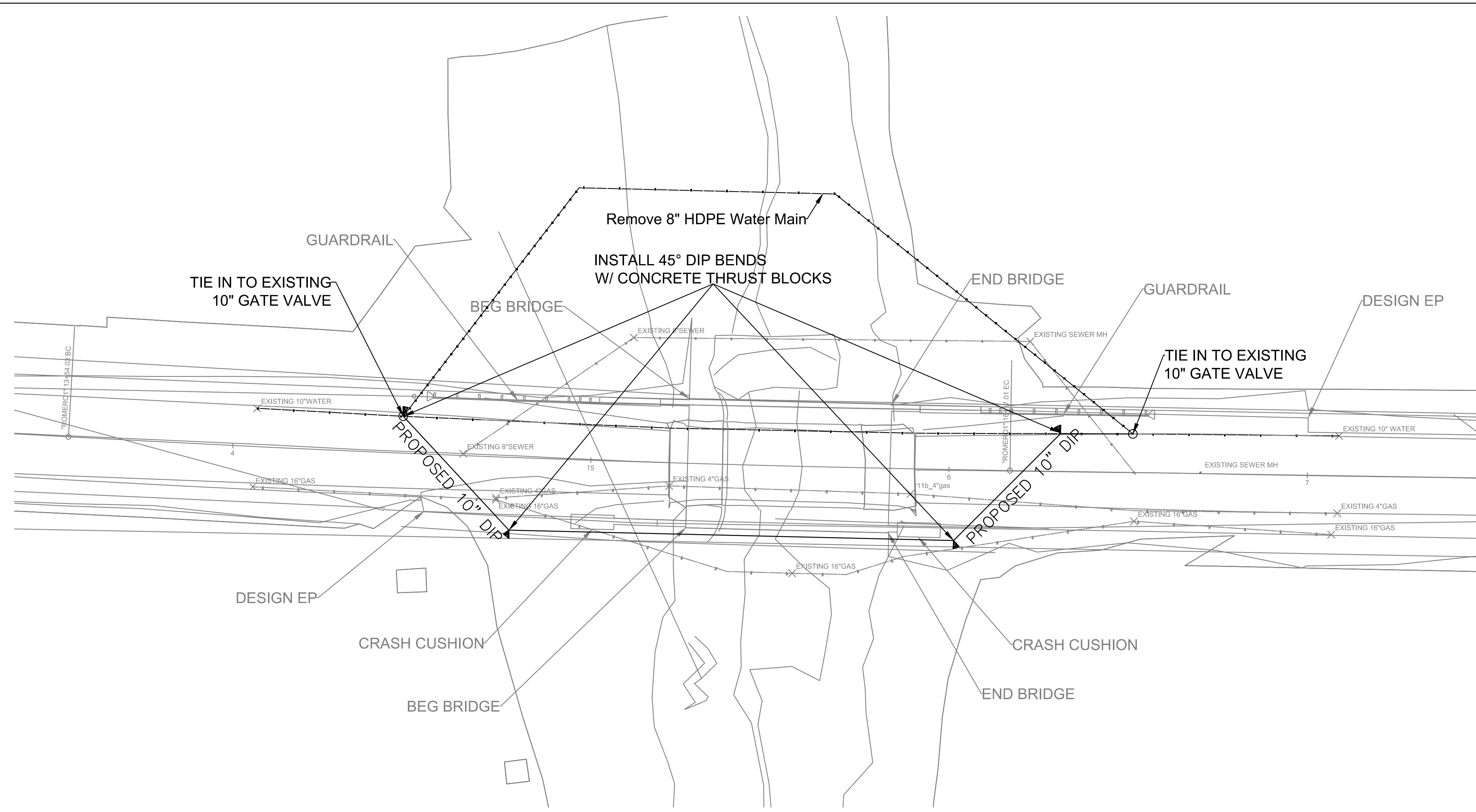


---

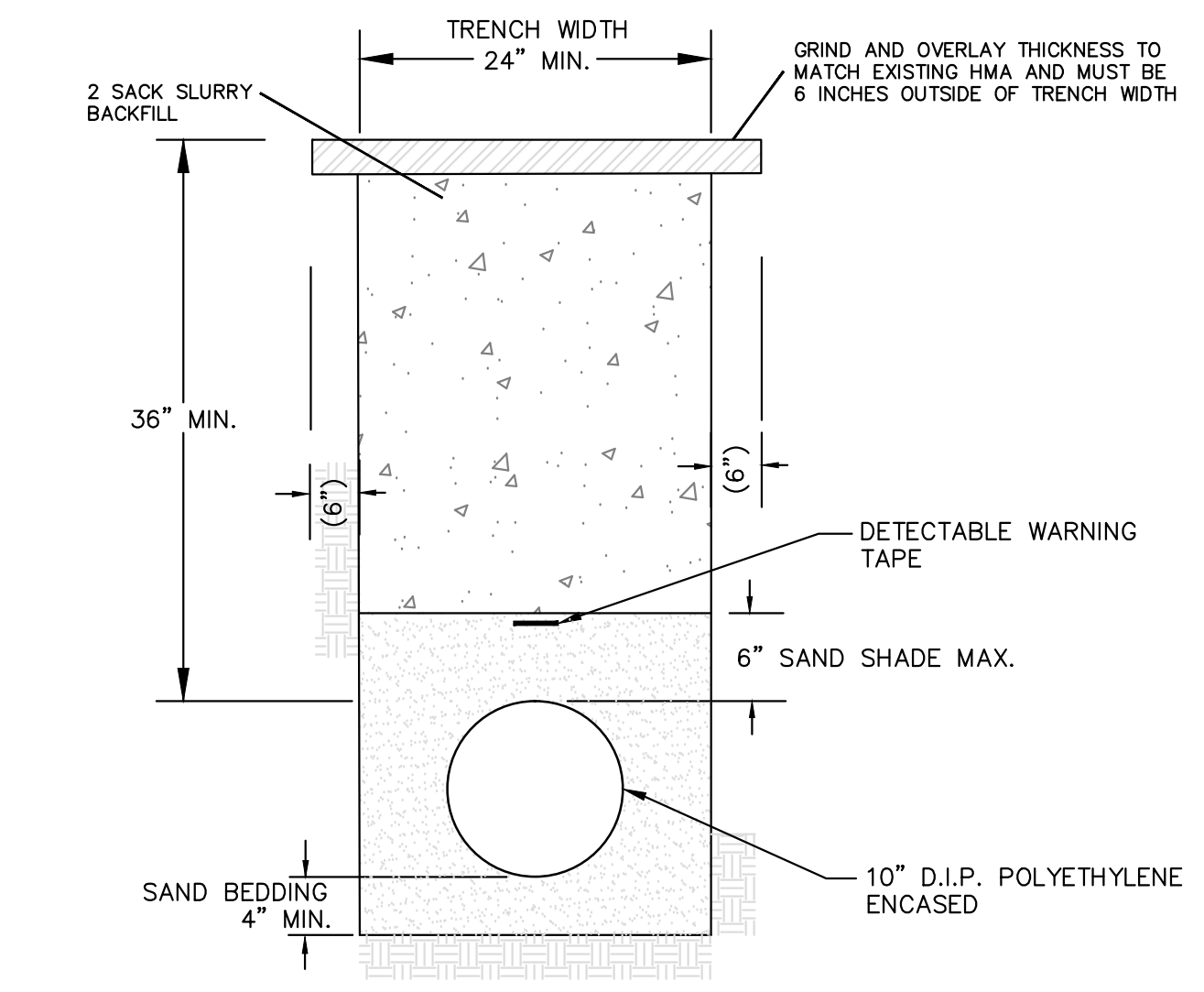
Adam Kanold, P.E.  
Project Manager

**ADDENDUM 1-2 – Romero Creek Bridge Main Replacement, Sheet 3**

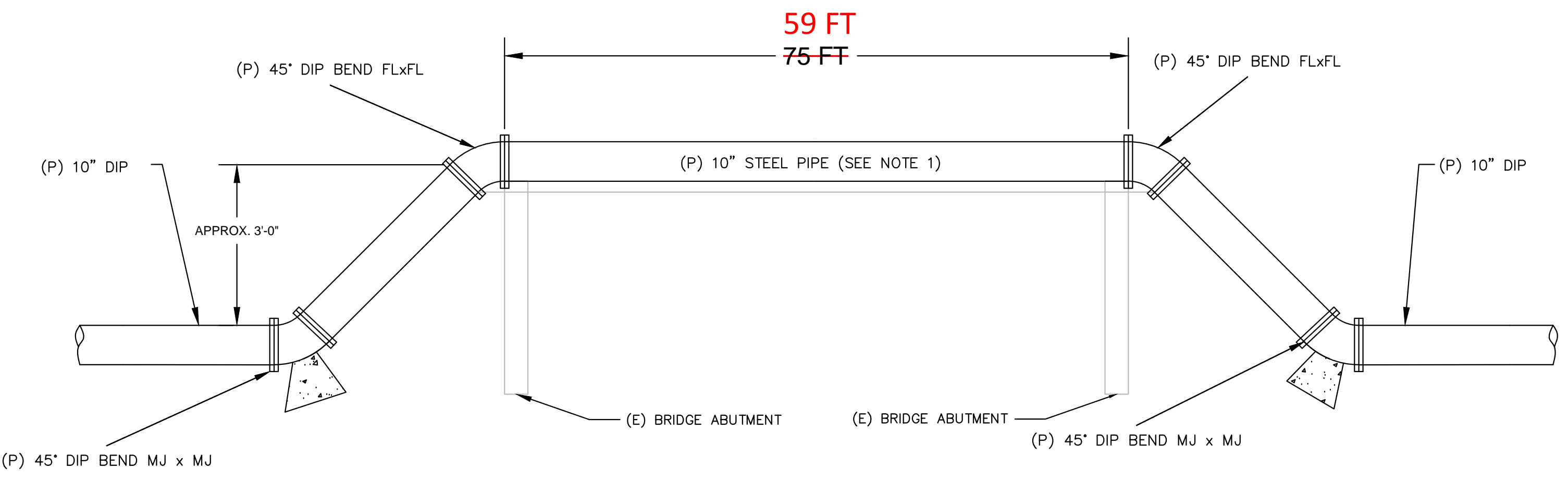
This page intentionally left blank



PLAN VIEW  
SCALE: 1" = 20'

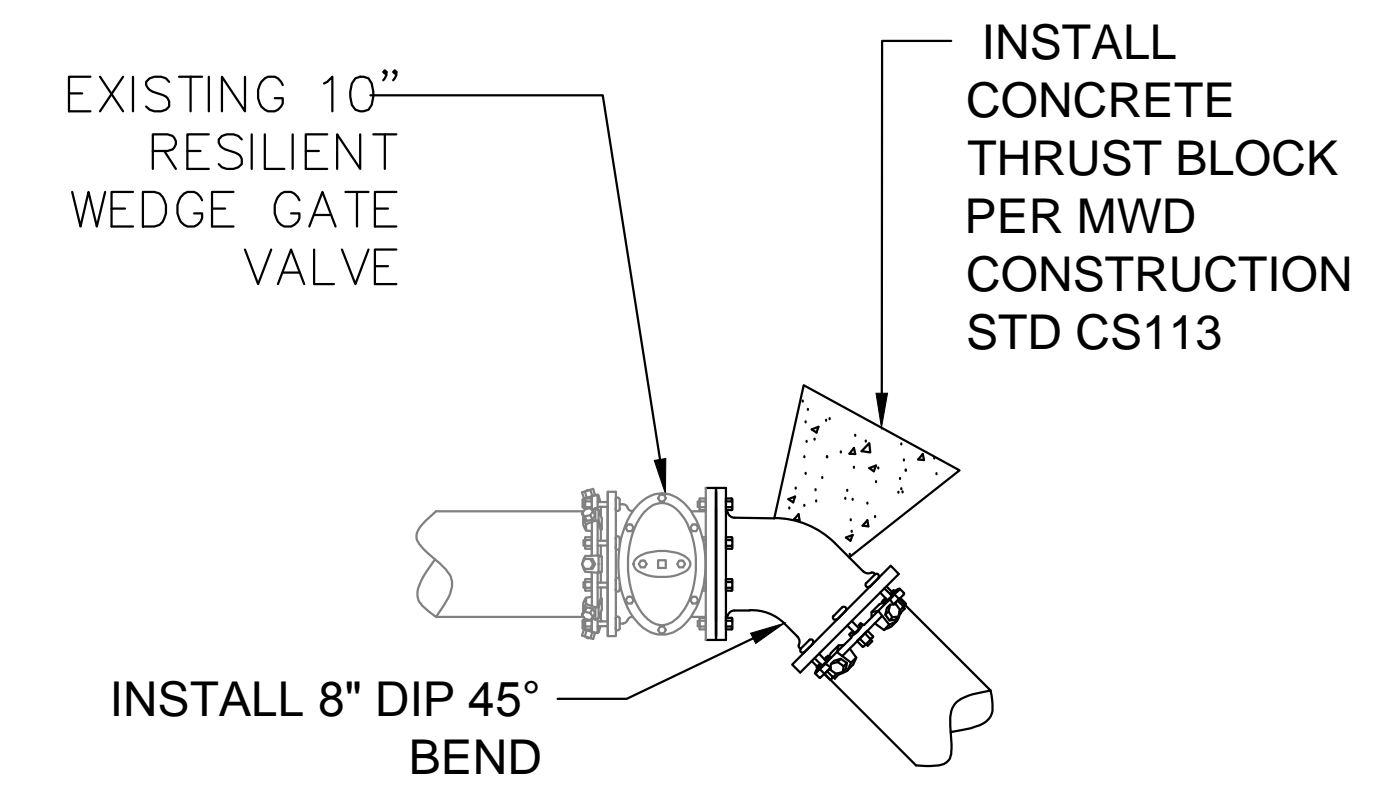


NOTES:  
1) TRENCH DETAIL CALTRANS ROW  
NTS



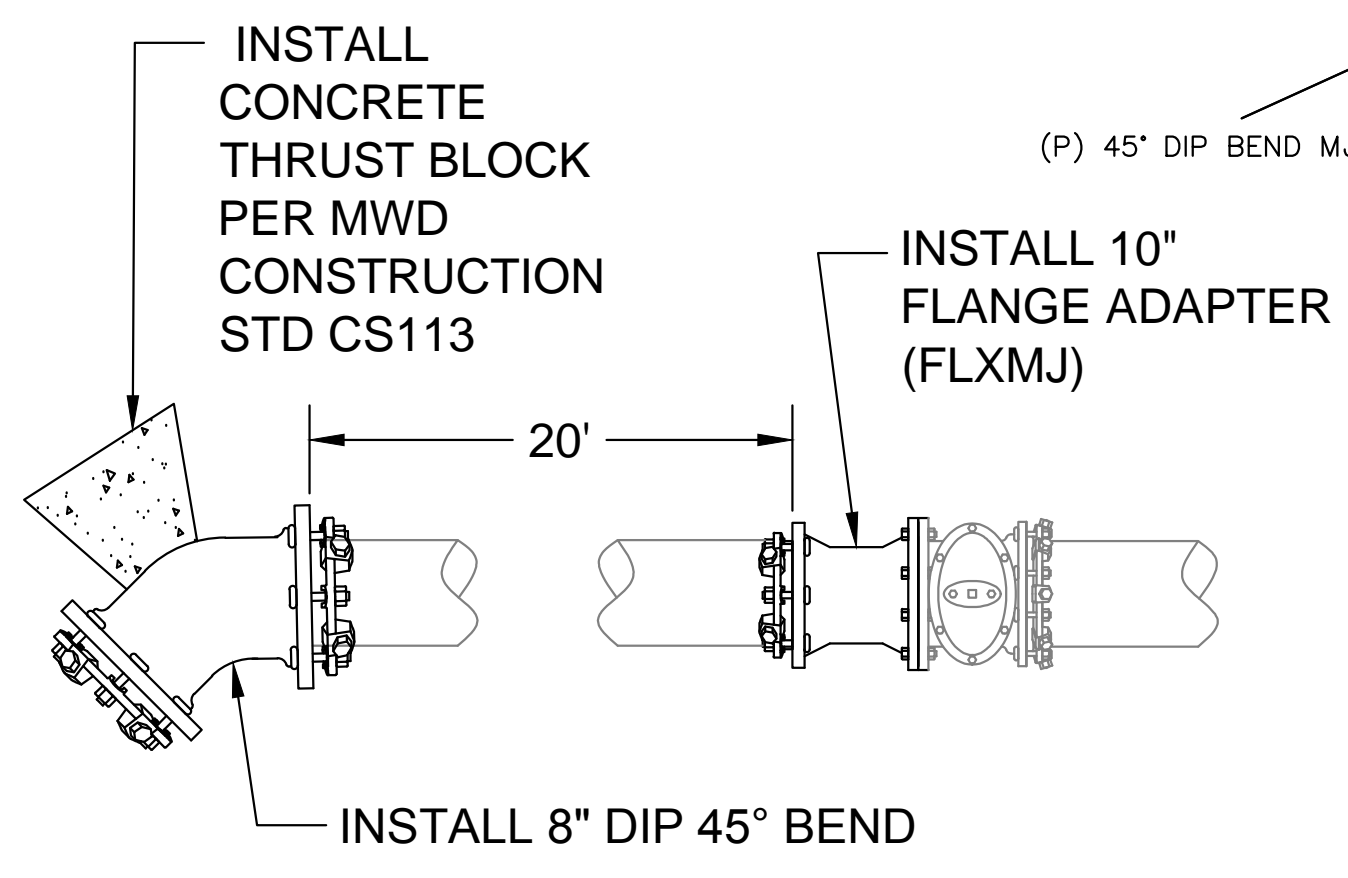
- NOTES:
- 10 INCH STEEL PIPE TO BE SECURED TO BRIDGE IN ACCORDANCE WITH SHEETS 4 THROUGH 6. PIPE SUPPORTS FABRICATED AND INSTALLED BY OTHERS.
  - PIPE AND FITTINGS SHALL HAVE FUSION BONDED EPOXY LINING AND COATING. DAMAGED COATING SHALL BE REPAIRED BY THE CONTRACTOR AT NO ADDITIONAL EXPENSE TO THE DISTRICT. FINISH COLOR SHALL BE BLACK.
  - CONTRACTOR SHALL BACKFILL AND COMPACT AREA AROUND VERTICAL OFFSETS WITH SAND BEDDING AND COMPACT TO 90%.
  - CONTRACTOR SHALL SUBMIT FABRICATION DRAWINGS FOR PIPE TO DISTRICT FOR REVIEW AND APPROVAL PRIOR TO FABRICATING AND INSTALLING PIPE.
  - CONTRACTOR SHALL INSTALL PIPE AND SINGLE U-BOLT TO SECURE PIPE TO STEEL STRUCTURAL SUPPORTS.
  - CONTRACTOR SHALL INSTALL BELOW GROUND PORTION OF DIP PIPE AS FAR AWAY FROM GAS LINE AS FEASIBLE.
  - CONTRACTOR SHALL INSTALL NO JOINTS WITHIN 8 FEET OF SEWER CROSSINGS. CONTRACTOR SHALL POTHOLE TO VERIFY LOCATION AND DEPTH OF SEWER.

BRIDGE CROSSING SECTION  
NTS



NOTE: INSTALL JOINT RESTRAINT FITTINGS AT ALL MECHANICAL JOINTS.

POC WEST OF BRIDGE  
NTS



NOTE: INSTALL JOINT RESTRAINT FITTINGS AT ALL MECHANICAL JOINTS.

POC EAST OF BRIDGE  
NTS

REV	DATE	BY	DESCRIPTION

**MONTECITO WATER DISTRICT**  
**ROMERO CREEK BRIDGE MAIN REPLACEMENT**

Design	A. KANOLD
Drawn	A. KANOLD/D. WONG
Date	10-12-2018

MONTECITO WATER DISTRICT	Drawing Scale
563 SAN YSIDRO ROAD, SANTA BARBARA, CA 93108	1" = 20'
(805) 969-2271 / (805) 969-2761 Fax	
www.montecitowater.com	

Date	OCT 2018
Sheet No	1 OF 3

**DIG ALERT**  
UNDERGROUND SERVICE ALERT OF SOUTHERN CALIFORNIA

ATTENTION:  
All underground utilities and substructures shown hereon were obtained from the best available sources and are presumed to be accurate and complete, but since the information was obtained from others, the Montecito Water District cannot guarantee said information as being accurate and complete. It shall be the contractor's sole responsibility to verify, locate and protect all utilities and substructures shown or not shown hereon.